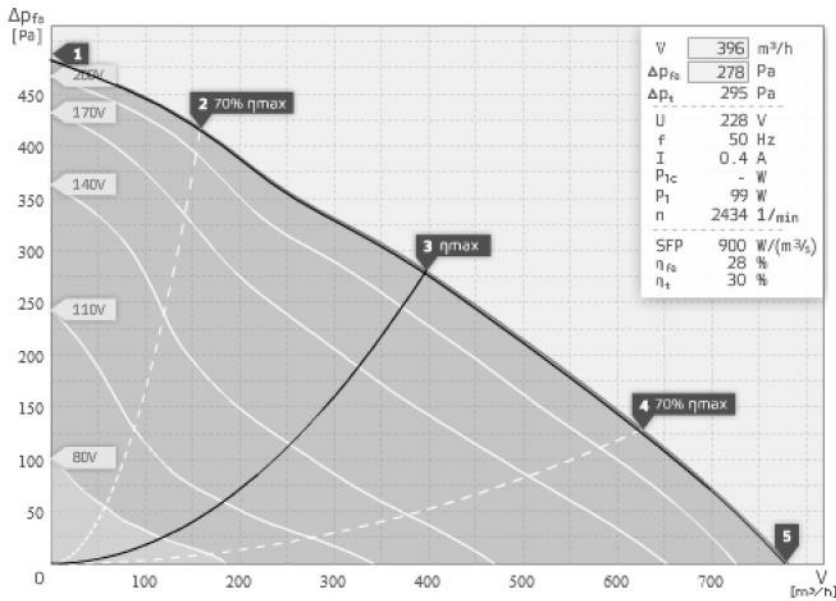


RKW 160 L - 810 m³/h

TECHNICAL DATASHEET

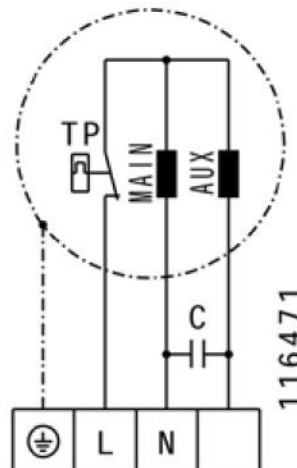
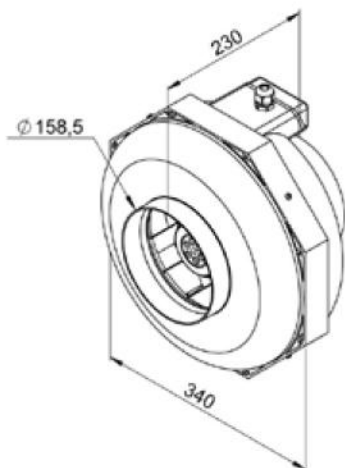


- Backward curved centrifugal fan
- Plastic housing PA6, RAL 7035
- Speed controllable
- Integrated thermal switch
- Incl. terminal box

Operating Point		1	2	3	4	5
Current I	A	0,4	0,4	0,4	0,5	0,4
Power Consumption P1	W	75	85	100	102	97
RPM n	1/min	2725	2627	2443	2420	2488
SPL inlet LWA5	dB(A)	72	71	68	69	71
SPL outlet LWA6	dB(A)	70	70	66	65	68
SPL casing break out LWA2	dB(A)	63	63	62	61	62

Sound power (LW) dB(A)		Medium Frequency Band								
		Σ	63	125	250	500	1k	2k	4k	8k
Inlet	LWA5	68	-	46	59	62	63	60	59	53
Outlet	LWA6	66	-	51	62	53	61	59	56	48
Casing	LWA2	61	-	47	54	56	55	51	54	50

RK 160L 104513	
Voltage UN	230 V 1~
Current Imax	0,5
Ambient Temperature tA	50 °C
Medium Temperature tM	50 °C
Speed Control	V
Motor Protection	TAI
Isolation Class	F
Weight	3,2 kg



116471