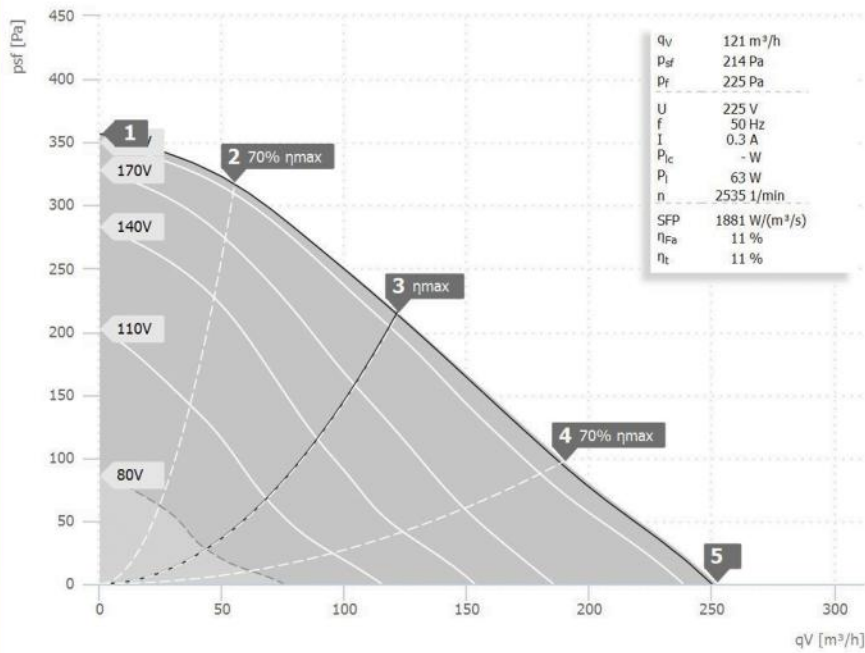


RS 100L - 250 m³/h

TECHNICAL DATASHEET



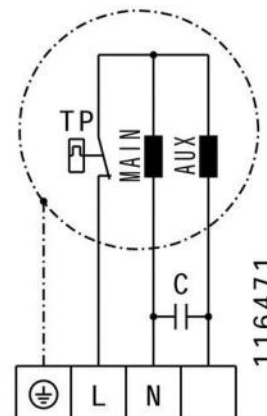
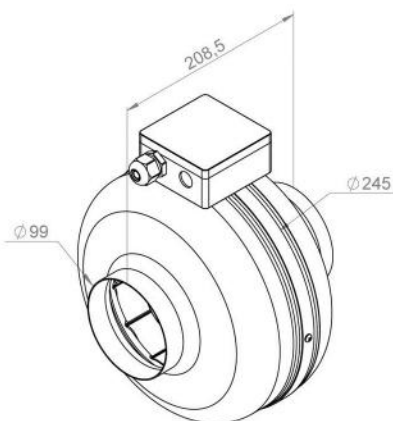
nur außerhalb der EU verfügbar
only available outside the EU

- Backward curved centrifugal fan
- Metal housing RAL 7035
- Speed controllable
- Integrated thermostatic switch
- Incl. terminal box

Operating Point		1	2	3	4	5
Current I	A	0,3	0,3	0,3	0,3	0,3
Power Consumption P _l	W	63	62	66	67	68
RPM n	1/min	2750	2694	2547	2436	2412
SPL inlet L _{WA5}	dB(A)	63	63	64	64	66
SPL outlet L _{WA6}	dB(A)	63	63	63	63	65
SPL casing break out L _{WA2}	dB(A)	56	56	56	56	56

Sound power (L _W) dB(A)		Medium Frequency Band								
		Σ	63	125	250	500	1k	2k	4k	8k
Inlet	L _{WA5}	64	39	47	57	57	58	57	52	41
Outlet	L _{WA6}	63	39	48	58	53	56	57	51	41
Casing	L _{WA2}	56	41	39	48	46	49	49	49	40

RS 100L 104189	
Voltage U _N	230 V 1~
Current I _{max}	0,3
Ambient Temperature t _A	60 °C
Medium temperatures t _M	60 °C
Speed Control	V
Motor Protection	TMI
Isolation Class	F
Weight	2,6 kg



116471