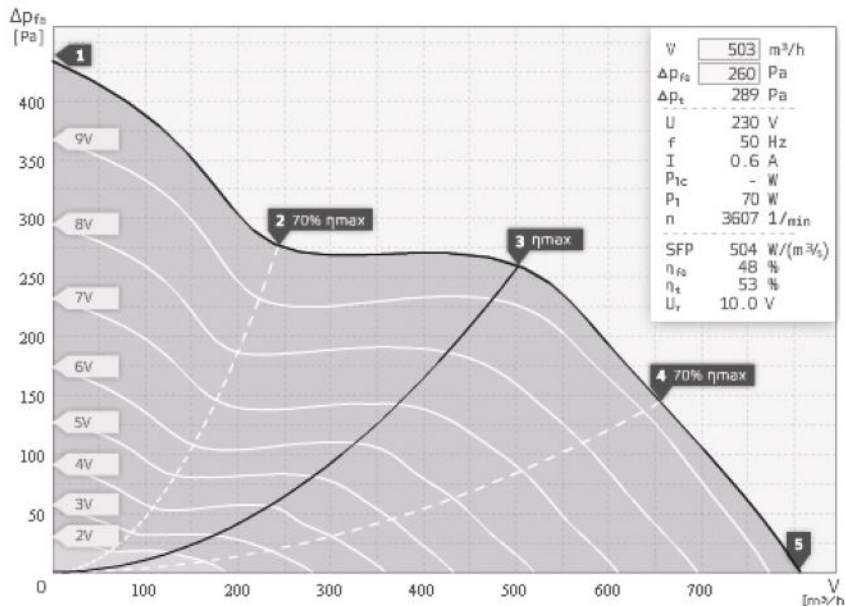




# MAX-FAN PRO SERIES EC 160 - 807 m<sup>3</sup>/h

## TECHNICAL DATASHEET

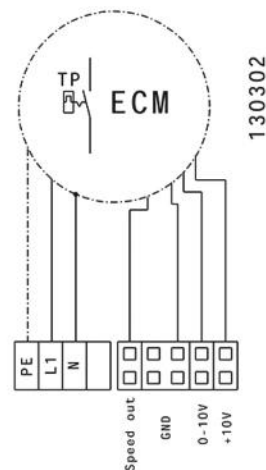
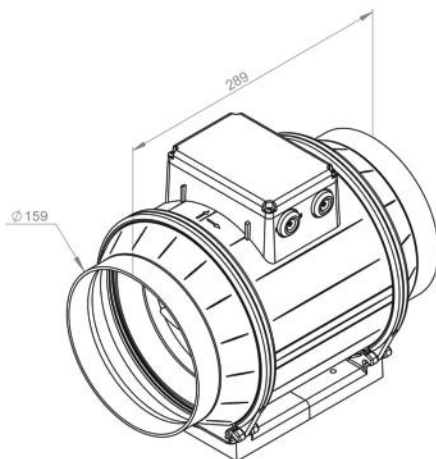


- Diagonal impeller with stator
- EC-motor
- Integrated electronic
- Variable speed control
- Internal electronic temperature monitoring
- Plastic housing
- Including mounting bracket

Operating Point		1	2	3	4	5
Current I	A	0,5	0,5	0,6	0,6	0,6
Power Consumption P1	W	61	52	70	73	67
RPM n	1/min	3732	3777	3605	3541	3596
SPL inlet LWA5	dB(A)	72	71	72	73	73
SPL outlet LWA6	dB(A)	74	74	75	75	76
SPL casing break out LWA2	dB(A)	58	57	55	55	56

Sound power (LW) dB(A)		Medium Frequency Band								
		Σ	63	125	250	500	1k	2k	4k	8k
Inlet	LWA5	72	33	44	58	67	67	66	61	56
Outlet	LWA6	75	36	49	61	68	71	68	66	58
Casing	LWA2	55	38	34	42	46	49	52	45	36

EM 160 EC 01   128586	
Voltage UN	230 V 1~
Current I <sub>max</sub>	0,6
Ambient Temperature t <sub>A</sub>	45 °C
Medium Temperature t <sub>M</sub>	45 °C
Speed Control	0-10V
Motor Protection	TEC
Isolation Class	F
Weight	2,6 kg



130302