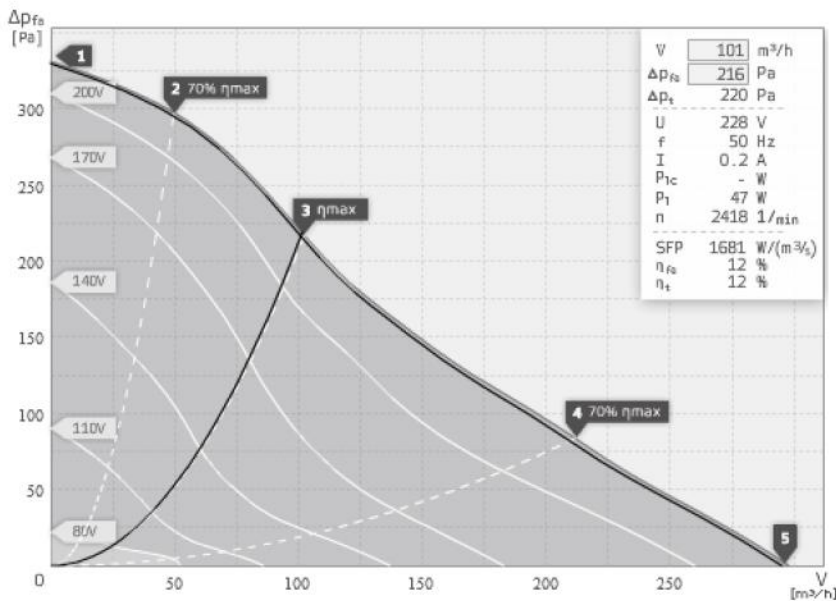


# RS 125 - 300 m<sup>3</sup>/h

## TECHNICAL DATASHEET

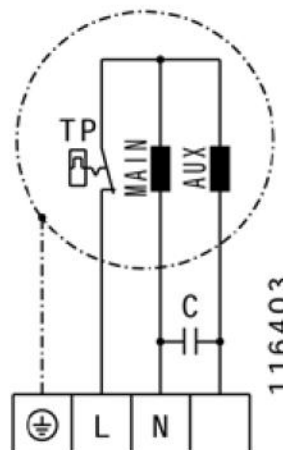
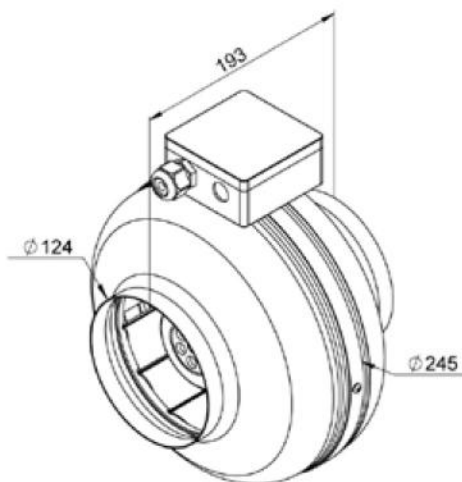


- Backward curved centrifugal fan
- Metal housing RAL 7035
- Speed controllable
- Integrated thermal switch
- Incl. terminal box

Operating Point		1	2	3	4	5
Current I	A	0,2	0,2	0,2	0,2	0,2
Power Consumption P1	W	43	45	48	54	55
RPM n	1/min	2633	2582	2424	2135	2120
SPL inlet LWA5	dB(A)	62	62	62	60	60
SPL outlet LWA6	dB(A)	62	62	62	59	59
SPL casing break out LWA2	dB(A)	56	55	55	52	49

Sound power (LW) dB(A)		Medium Frequency Band								
		Σ	63	125	250	500	1k	2k	4k	8k
Inlet	LWA5	62	-	42	50	54	59	56	47	38
Outlet	LWA6	61	-	41	53	52	58	55	48	40
Casing	LWA2	55	-	32	40	39	47	48	52	44

RS 125   104192	
Voltage UN	230 V 1~
Current Imax	0,3
Ambient Temperature tA	80 °C
Medium Temperature tM	80 °C
Speed Control	V
Motor Protection	TMI
Isolation Class	F
Weight	2,6 kg



116403